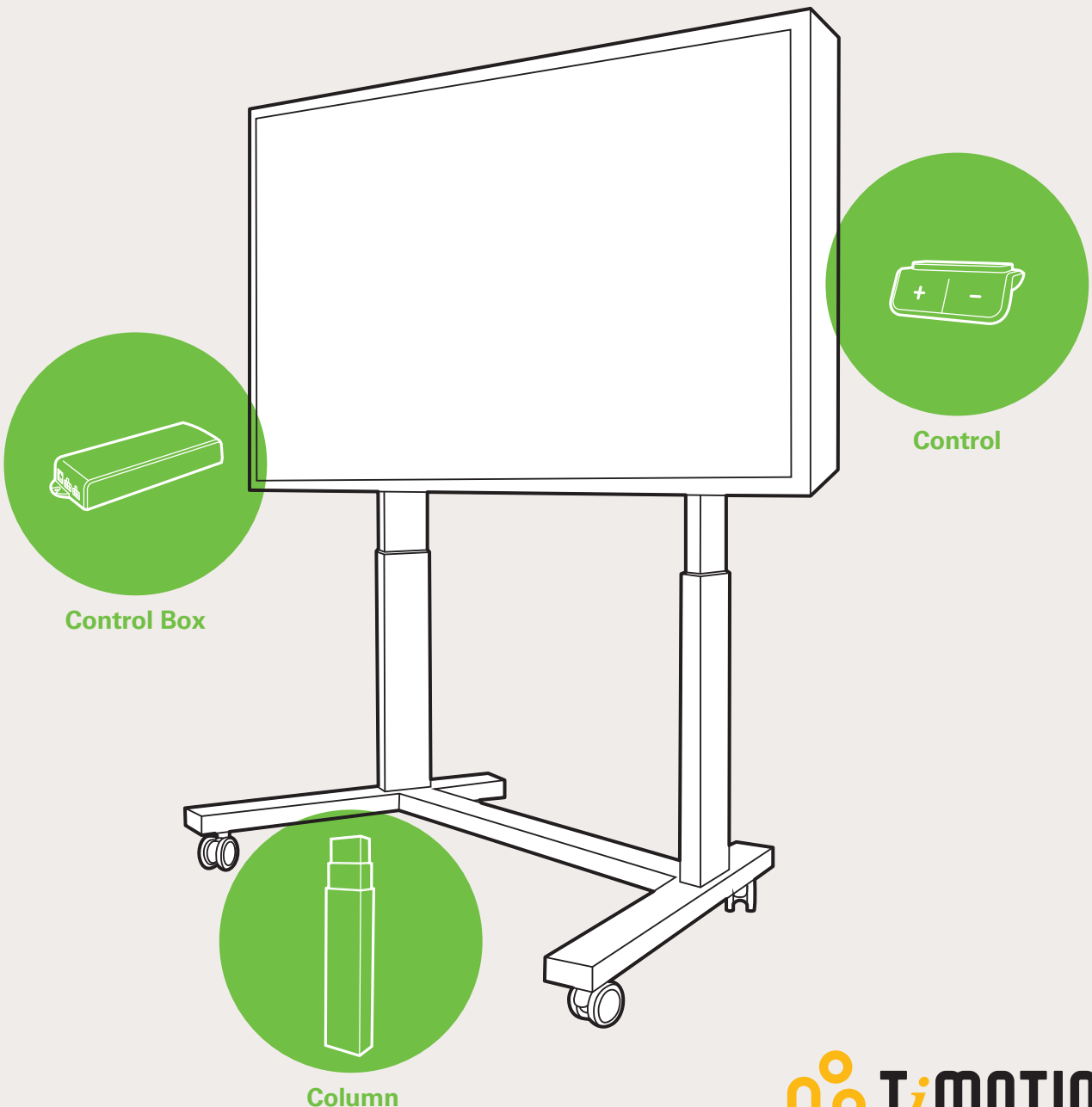


FOR HEIGHT ADJUSTABLE TOUCHSCREENS OR LIFTS

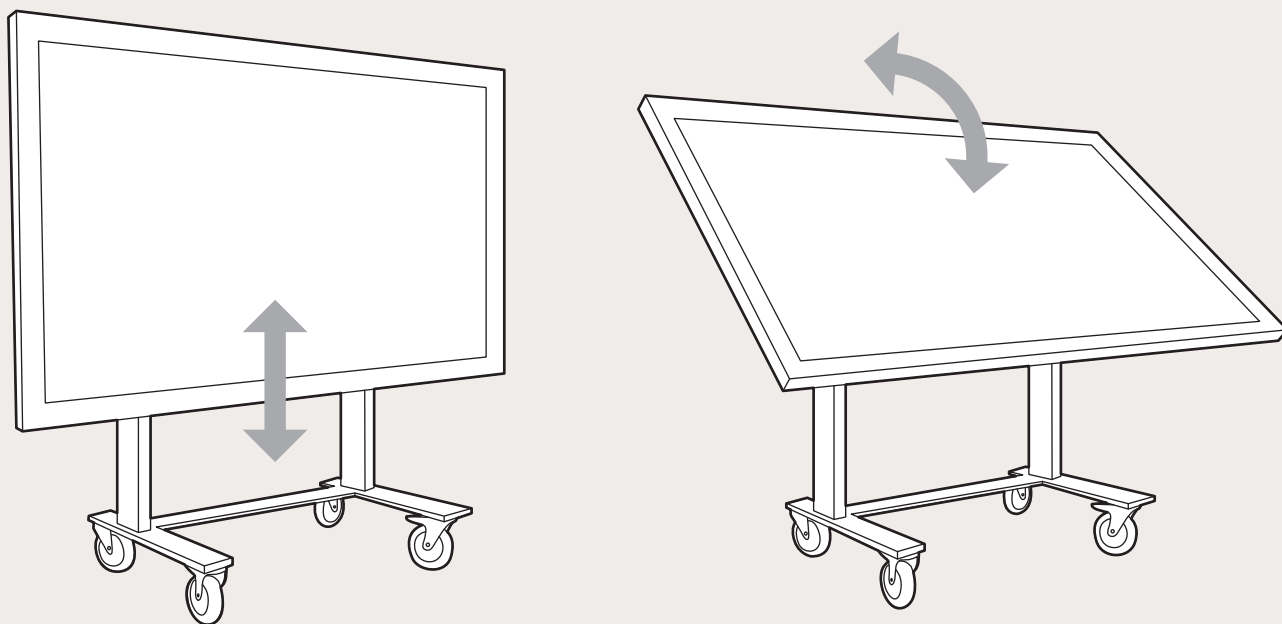
Choose TiMOTION for Flexibility,
Customized Products, and Tailor-Made Services



TiMOTION provides a wide range of actuation system equipped with multiple columns, control boxes, and controls for the manufacturers to choose from. The TiMOTION column series are primarily designed for lifting applications, such as the height adjustable touchscreens that require vertical movement.

Key Features of TiMOTION Actuation Systems

- Quiet Operation
- High Lifting Capacity
- Multiple Controls



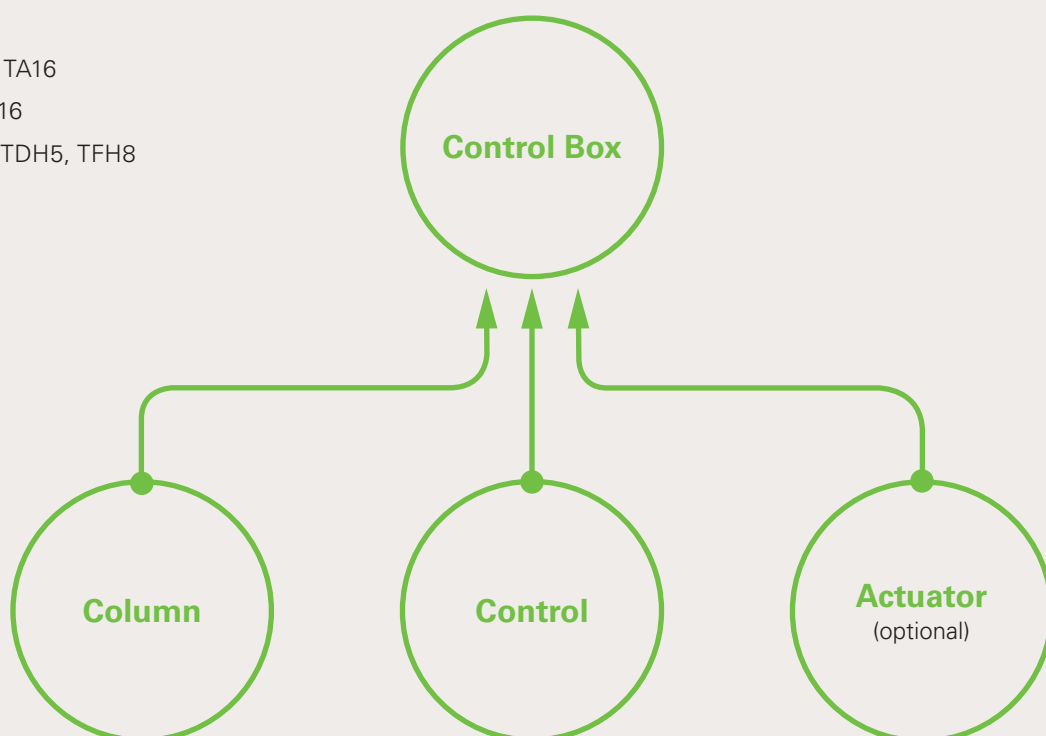
Solution Overview

Column for lifting: TL5, TL6

Actuator for tilting (optional): TA16

Control Box: TC11, TC15, TC16

Control: TH14, TH37, TDH3, TDH5, TFH8



Columns



TL5 SERIES

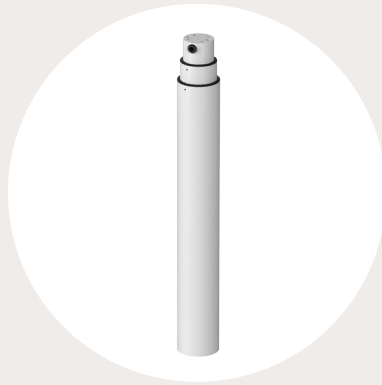
Maximum load
800N in push

Maximum speed at no load
32mm/s

Stroke
675mm

Min. installation dimension
560mm

Shape of outer tubes
Rectangular



TL6 SERIES

Maximum load
600N in push

Maximum speed at no load
52mm/s

Stroke
650mm

Min. installation dimension
590mm

Shape of outer tubes
Round

Actuator

Optional



TA16 SERIES

Maximum load
3500N in pull/push

Maximum speed at no load
23.5mm/s

Min. installation dimension
Stroke+112mm

Control Boxes



TC11 SERIES

Support single column

0.06W standby power consumption

Memory functions for column height

Soft stop function

Over current protection



TC15 SERIES

Support two columns

0.06W standby power consumption

Memory functions for column height

Soft stop function

Over current protection



TC16 SERIES

Support two columns and one tilt actuator

0.06W standby power consumption

Memory functions for column height

Soft stop function

Over current protection

Controls



TH14 SERIES

Maximum available buttons 2



TH37 SERIES

Maximum available buttons 2



TFH8 SERIES

Maximum available buttons 2



TDH3 SERIES

Maximum available buttons 6

Have memory function up to 3 sets



TDH5 SERIES

Maximum available buttons 6

Have memory function up to 4 sets

Headquarters

TiMOTION Technology Co., Ltd.
Tel 886 2 2219 6633
Email sales.tw@timotion.com

TiMOTION Kunshan

Tel 86 512 5526 0735
Email sales.tw@timotion.com

TiMOTION Japan

Tel 81 6 6713 1188
Email sales.jp@timotion.com

TiMOTION Korea

Tel 82 031 745 1060
Email sales.kr@timotion.com

TiMOTION Europe

Tel 33 (0)1 74 82 50 51
Email sales.eu@timotion.com

TiMOTION USA

Tel (855) 235 1424
Email sales.us@timotion.com