



NO MORE "OUCH!"

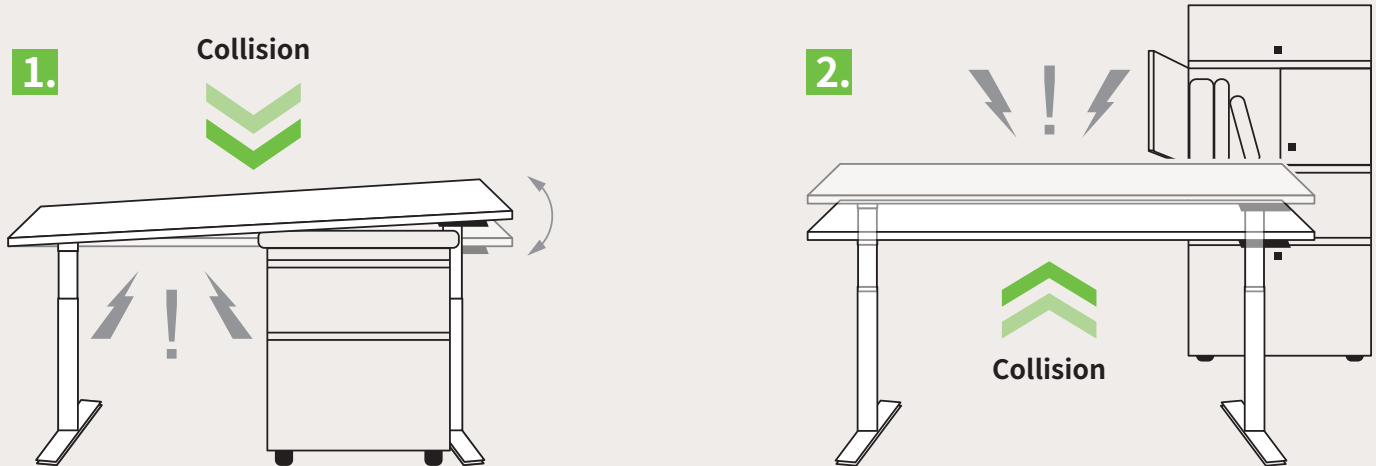
The most effective anti-collision solution for height adjustable desks.

t-touch is a sensor that helps minimize risk for damages if the electric sit stand desk accidentally collides with obstacles during operation.



How does it work?

t-touch can detect if a height adjustable desk has collided with an object, become uneven, or shifted during operation. Whenever these circumstances occur, t-touch will send a command via the compatible control box or the specially designed device-TCS1, which will then stop and reverse the desk from raising or lowering.

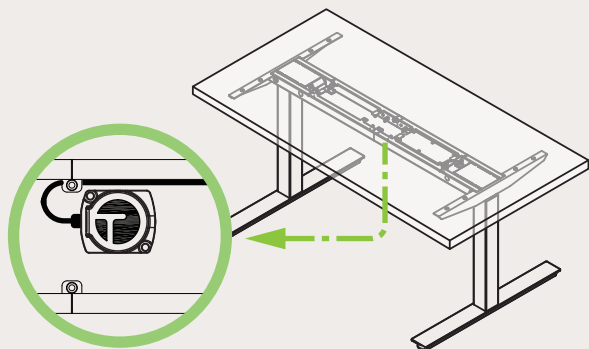


Why do we favor t-touch?

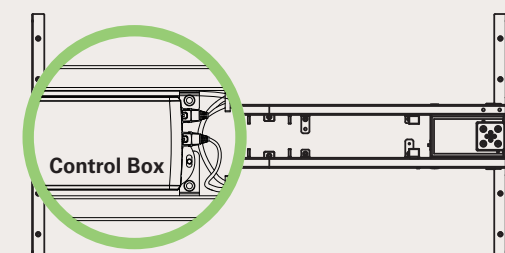
Solution	Traditional Solution	T-touch
Working Principle	Detect power consumption change	Detect table top imbalance by sensor
Sensitivity	Medium	High
Limitation	Delayed reaction if one of the following situations occurs: <ul style="list-style-type: none"> • Collision is on soft object • Tabletop is bigger • Heavy load on the desk 	None
Adaptability	Software preset	Choice between a built-in control box or the TCS1 device
Flexibility	None	<ul style="list-style-type: none"> • Multiple sensors cascading • Adjustable sensitivity

t-touch integration options:

1. Embedded into the TCS1



2. Onto a control box



Taiwan & China Tel +886 2 2219 6633
Japan Tel +81 6 6713 1188
Korea Tel +82 31 745 1060
USA Toll Free (855) 235 1424
Europe Tel +33 (0)1 74 82 50 51

sales.tw@timotion.com
sales.jp@timotion.com
sales.kr@timotion.com
sales.us@timotion.com
sales.eu@timotion.com

